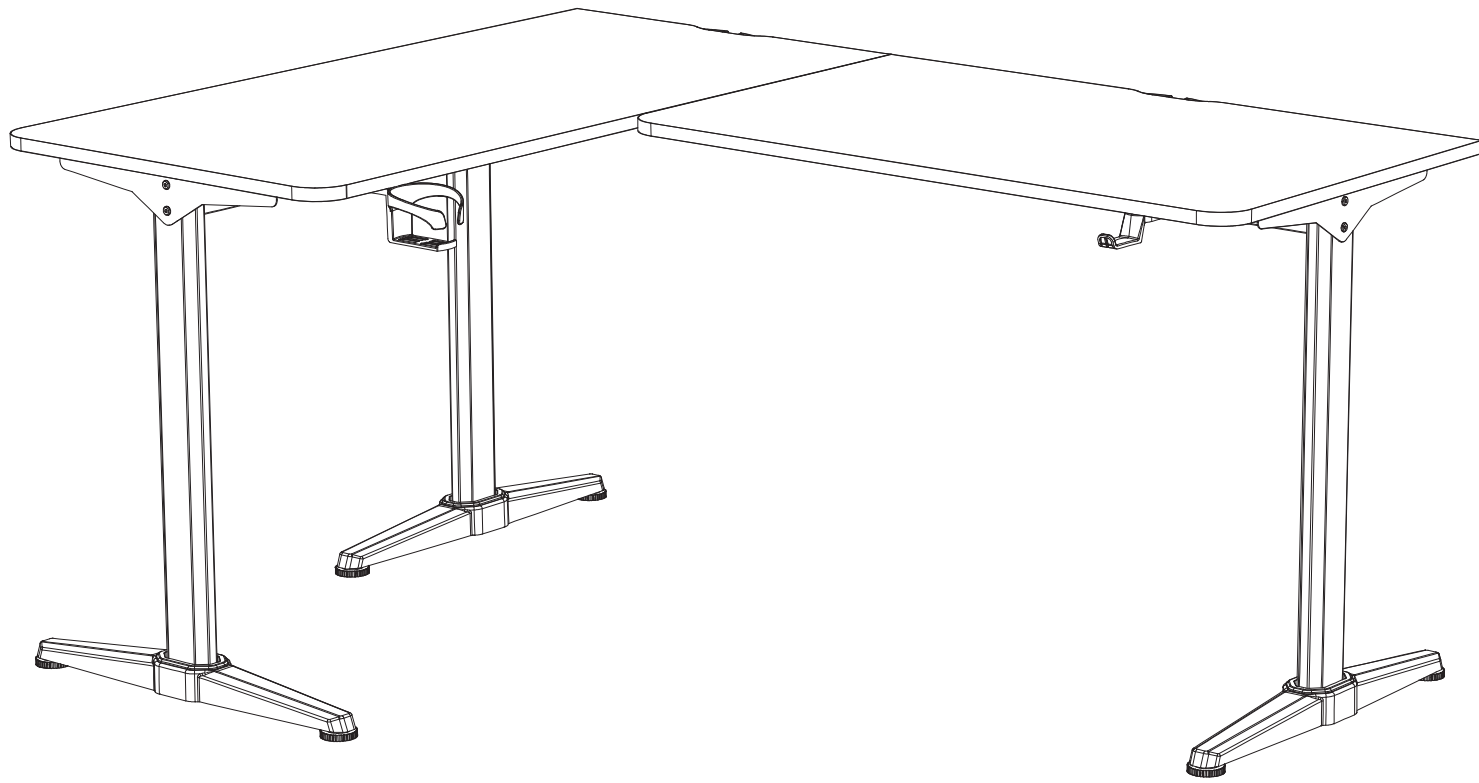


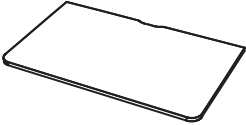
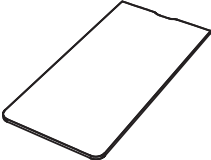

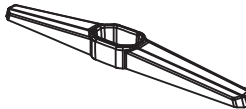




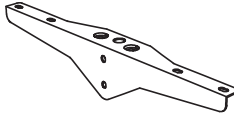
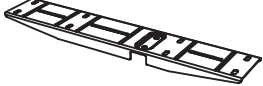
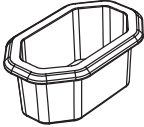
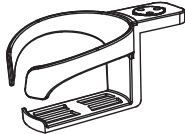
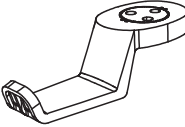
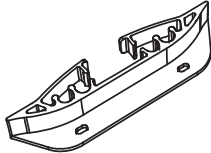
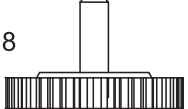
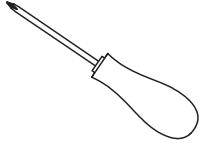






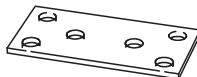
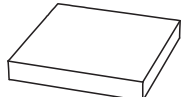
USER MANUAL

AD-D-PT-1600-01-B

anda seat

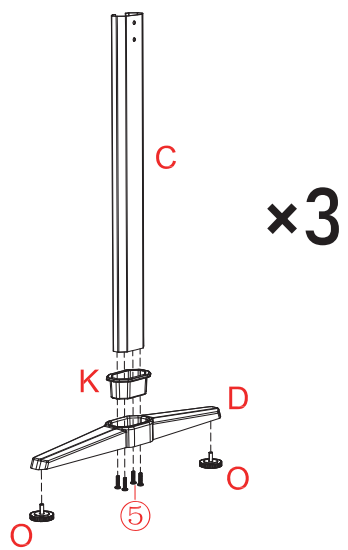


ACCESSORIES LIST

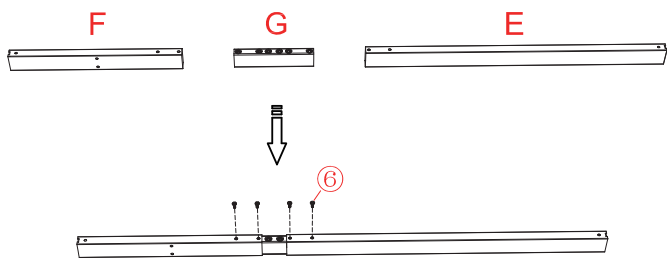
A  x1	B  x1	C  x3	D  x3	E  x1
F  x1	G  x1	H  x1	I  x3	J  x1
K  x3	L  x1	M  x1	N  x2	O  M8 x6
①  x1	② M4  x2	③ M6×90  x3	④ M6×50  x2	⑤ M6×30  x12
⑥ M6×16  x18	⑦ M4×14  x36	⑧  x1	⑨  x2	

ASSEMBLE GUIDE

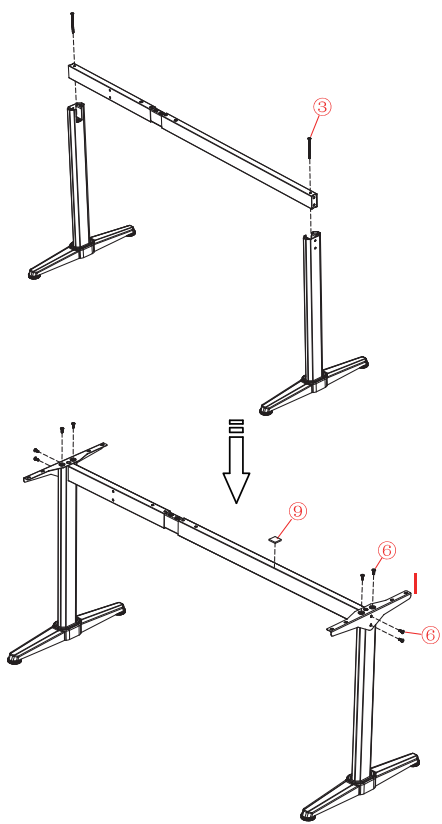
01



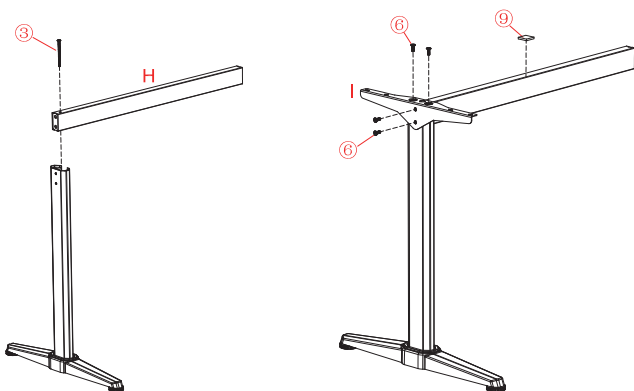
02



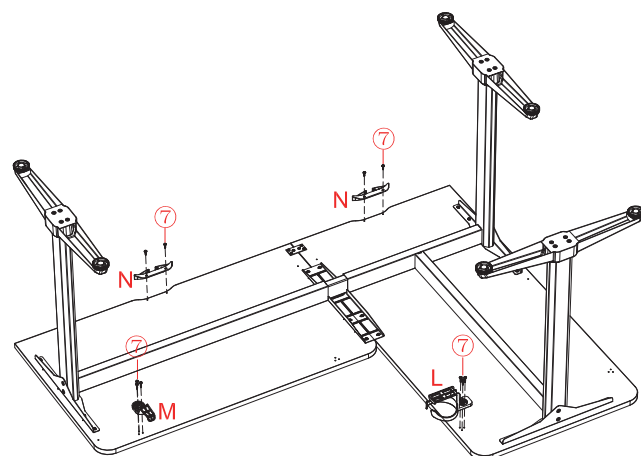
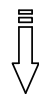
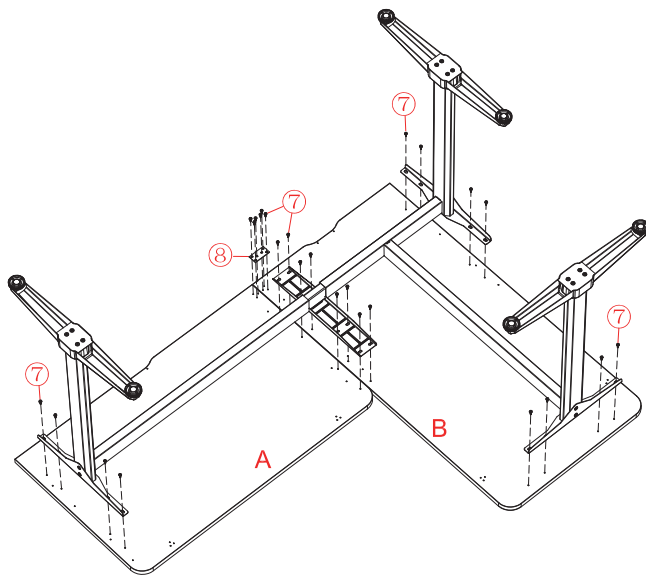
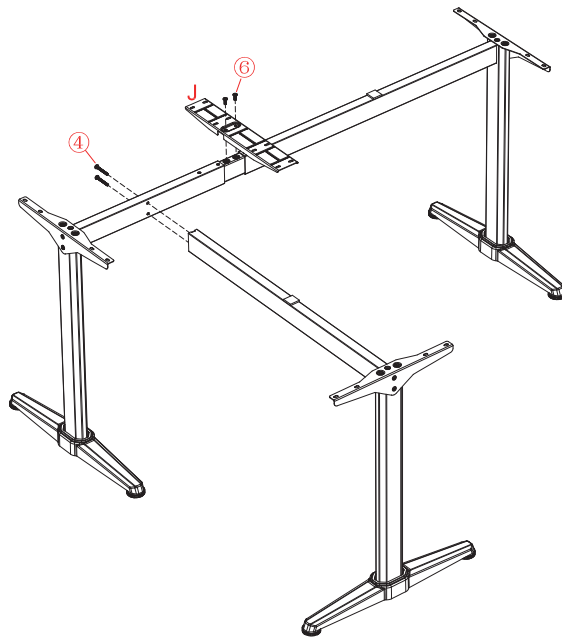
03



04



L5



R5

